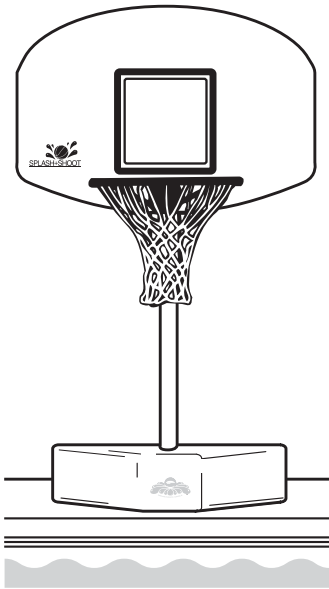

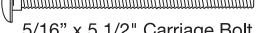

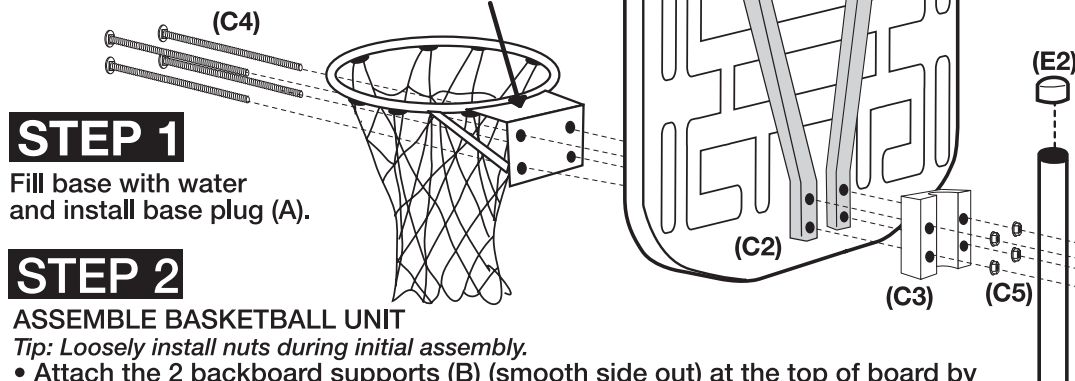




SPLASH+SHOOT



PARTS LIST	
QTY.	PART
(1)	Post with Finishing Ring
(1)	Backboard
(2)	Backboard Supports
(1)	Rim with Net
(1)	Ball with Inflating Needle
(1)	Post Cap
(1)	Base Plug
(2)	Backboard Mounting Blocks <small>(front and back Mounting Blocks are same part)</small>
(2)	 5/16" x 1 5/8" Hex Bolt
(4)	 5/16" x 5 1/2" Carriage Bolt
(10)	 5/16" Flanged Lock Nut



STEP 1

Fill base with water and install base plug (A).

STEP 2

ASSEMBLE BASKETBALL UNIT

Tip: Loosely install nuts during initial assembly.

- Attach the 2 backboard supports (B) (smooth side out) at the top of board by running 5/16" x 1 5/8" bolt (B2) through front of board and support, and loosely start a 5/16" flange nut (B3).
- Install each of the 5 1/2" carriage bolts (C4) through the rim (C), backboard (C2), backboard supports (B) and backboard mounting block (C3) and secure using 4-flanged lock nuts (C5).

- TIP: insert one carriage bolt at a time and secure with flanged lock nut.*
- After backboard unit has been loosely assembled, tighten completely with wrench.
 - Slip mounting block (D) onto carriage bolts (C4) and loosely install 4-flanged lock nuts (D2).

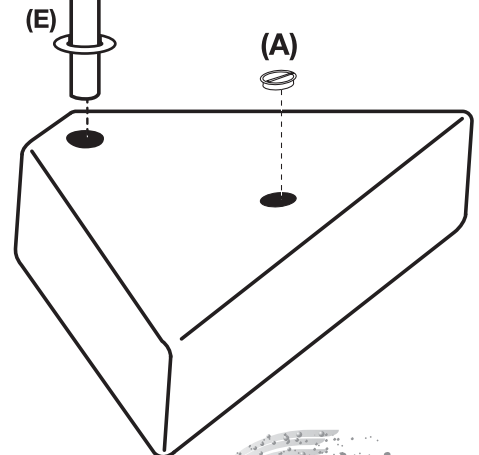
STEP 3

SECURE BASKETBALL UNIT TO ANCHOR

- Adjust anchor bolt so brass wedge in anchor is in its lowest position. Lower post into anchor and adjust so notches on bottom of post drops and interlocks with anchor. Tighten anchor bolt with wrench until tight.
- Slide finishing ring onto post (E). Slip backboard unit over post and secure at desired height by tightening the 4-flanged lock nuts (D2) with wrench. Install post cap (E2).
- Hook net on rim.

HEIGHT ADJUSTMENT

Simply loosen 4-flanged lock nuts, (D2) adjust to desired height and re-tighten.



WARRANTY

1. Splash & Shoot is warranted to the original owner for one year from date of purchase, with proof of purchase. This warranty covers defects in materials and workmanship.
2. Parts returned under this warranty will be inspected. Damage which, in our judgement, occurred because of misuse, negligence or accident is not covered by this warranty. This warranty is void if the product has been altered or tampered with in any way.
3. Owner may send parts presumed defective directly to Dunn-Rite Products, freight prepaid. If Dunn-Rite agrees that the products are defective and covered by this warranty, Dunn-Rite Products will repair or replace at its' option, and return the parts, with no charge for repairs.

In no event shall Dunn-Rite Products be liable for incidental or consequential damages of any nature or kind, or for damages to persons or property.

*If a part is missing or installation help is needed, call our HELPLINE for a quick response. **800-798-9646**



2200 South J Street Elwood, IN 46036
Fax 765•552•7773