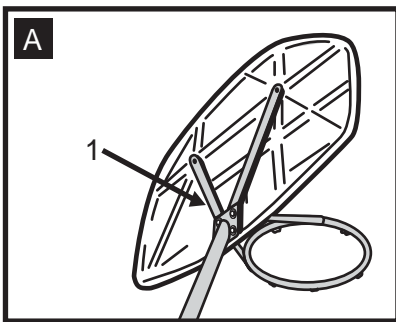


## INSTALLATION INSTRUCTIONS

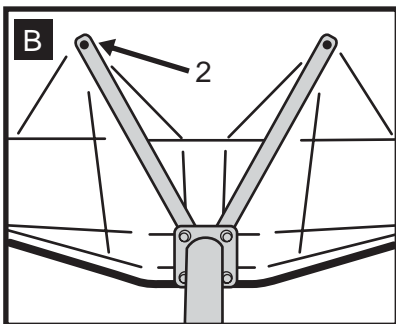


### STEP 1 ASSEMBLE BASKETBALL UNIT

- Attach rim, backboard and supports (smooth side facing toward you) to post as pictured (A), using four 5/16" x 2 1/4" carriage bolts and finger tighten using four 5/16" flanged lock nuts on back of post plate (A1).

### STEP 2

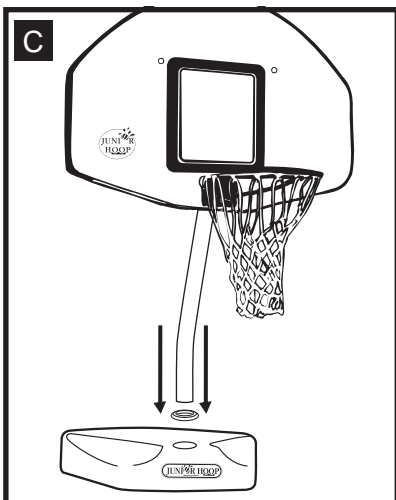
- Attach 2 backboard supports at the top of board by running 5/16" x 1 3/4" bolt through front of board and support, and tighten with a 5/16" flange nut. (B2)
- After unit has been loosely assembled, tighten completely with wrench.
- Put net on rim.



### STEP 3 SECURE BASKETBALL UNIT TO BASE

- Position unit near desired playing location, fill base with water and push plug into fill hole.
- Loosen anchor bolt in base until brass wedge in anchor is in it's lowest position.
- Put finishing ring on basketball post and lower post into base hole (C) so notches on bottom of post drops down and interlocks with anchor. Tighten anchor bolt with wrench until tight.

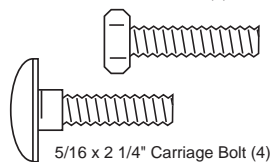
**NOTE:** To remove post, loosen anchor bolts & tap down on bolt head. This will unlock wedge from post.



5/16"x 1 3/4" Hex Bolt (2)

### PARTS LIST

QTY. PART



- 1 Bent Post with Finishing Ring
- 1 Backboard
- 2 Backboard Supports
- 1 Rim with Net
- 1 Ball with Inflating Needle
- 1 Base Fill Hole Plug
- 1 Base

### WARRANTY

1. Jr Hoop is warranted to the original owner for one year from date of purchase, with proof of purchase. This warranty covers defects in materials and workmanship.

2. Parts returned under this warranty will be inspected. Damage which, in our judgment, occurred because of misuse, negligence or accident is not covered by this warranty. This warranty is void if the product has been altered or tampered with in any way.

3. Owner may send parts presumed defective directly to Dunn-Rite Products, freight prepaid. If Dunn-Rite agrees that the products are defective and covered by this warranty, Dunn-Rite Products will repair or replace at its' option, and return the parts, with no charge for repairs.

In no event shall Dunn-Rite Products be liable for incidental or consequential damages of any nature or kind, or for damages to persons or property.

\*If a part is missing or installation help is needed, call our HELP LINE for a quick response.

800-798-9646

Ver. 12-10



2200 South J Street Elwood, IN 46036  
Fax 765-552-7773